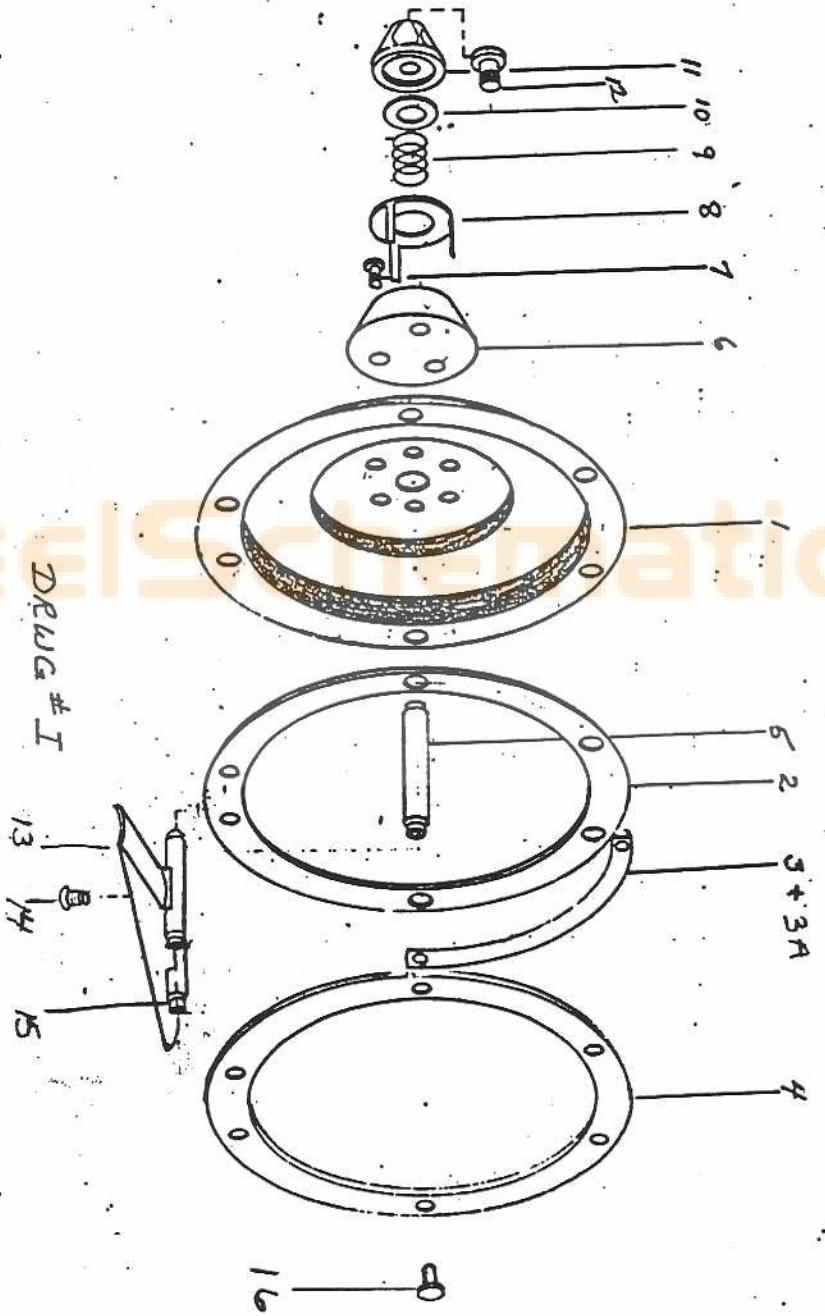


11-1-12  
(MG 8-55)



DRUG # I

PART NUMBER	QUANTITY
5-1 M-9-D BRCK	1
801A INNER RIM	1
865-S LINE GUIDE OUTER	2
864-A OUTER RIM	1
864-S LINE GUIDE POSTS	4
270-A END CAP	1
268-S END CAP SCREW	3
271-P PLUNGER SPRING	1
294-S DRAG SPRING	1
647-S WASHER	1
267-H DRAG NUT	1
838-S SCREW	1
809-B REEL FOOT	1
203-S REEL FOOT + END CAP SCREW	2+2
803-A REEL FOOT POST	2
2 HILITE SCREW	12
194 5 LINE GUIDE INNER	